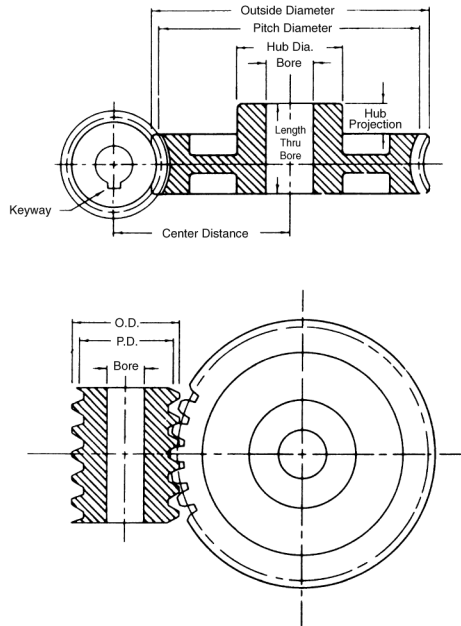
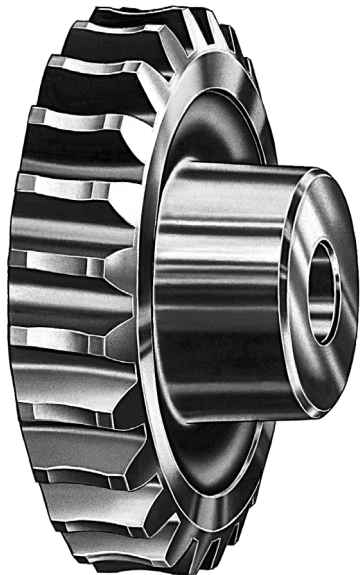




Worm and Worm Gears

12 Pitch • 1/2" Face • 14 1/2° Pressure Angle

Right Hand Quadruple Thread (Stocked Right Hand Only)



Cast Iron

Number Teeth	Catalog Number Cast Iron	Weight Pounds (App.)	Pitch Dia.	Bore (Inches)	Hub (Inches)		Style
					Dia.	Proj.	
20	W1220Q	.32	1.666	3/8	1 1/4	3/8	PLAIN
30	W1230Q	.38	2.500	3/8	1 1/2	3/8	PLAIN
40	W1240Q	.80	3.333	3/8	1 3/4	3/8	W

W = WEB



DALE - PLEASE SELECT THE BORE SIZE YOU NEED, THE WH12Q ALSO HAS HARDENED TEETH

Steel — 18° 26' Helix Angle Worms

Catalog Number Soft	Weight Pounds (App.)	Catalog Number Hardened	Weight Pounds (App.)	Face (Inches)	Pitch Dia.	Bore (Inches)	Hub (Inches)		Keyway (Inches)
							Dia.	Proj.	
W12Q	.14	WG12Q	.14	1 1/8	1.000	3/8	3/4	3/8	1/8 x 1/16
WH12Q	.20			1 1/8	1.000	3/8	3/4	3/8	

GEARS